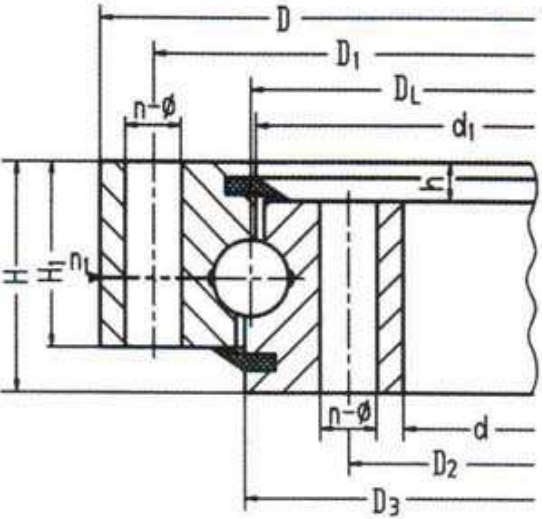


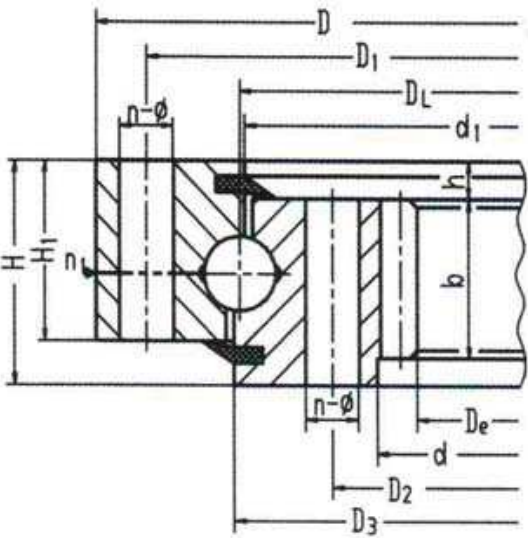
### Single-row four point contact ball slewing ring bearing

The single-row four point contact ball slewing ring is composed of 2 seat-rings. It features compact in design, and light in weight. The balls contact with the circular race at four points, via which the axial force, radial force and resultant moment may be born simultaneously.

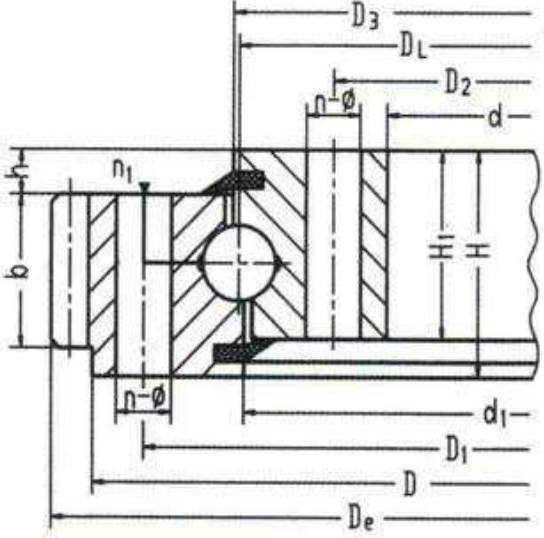
It may be used for slewing conveyers, welding arm and positioner, light, medium duty cranes, excavators and other engineering machines.



HSB



HSN



HSW

No.	Basic type			Mounting Size							sturctural			Ext		Int Gear			Int Gear			Weigh tkg
											Configuration			size								
	Toothless	Ext Toothless	Int Toothless	D	d	H	D1	D2	n	φ	n1	H1	h	b	m	x	De	Z	x	De	Z	
1	HSB.25.625	HSW.25.625	HSN.25.625	725	525	80	685	565	18	18	3	68	12	60	5	+1.4	751.9	146	+0.35	498.8	101	170
		HSW.25.625A	HSN.25.625A												6	+1.15	755.5	122	+0.35	496.7	84	
2	HSB.25.720	HSW.25.720	HSN.25.720	820	620	80	780	660	18	18	3	68	12	60	6	+1.4	860.3	139	+0.35	586.6	99	190
		HSW.25.720A	HSN.25.720A												8	+1.0	861.1	104	+0.35	582.3	74	
3	HSB.30.820	HSW.30.820	HSN.30.820	940	705	95	893	749	24	20	4	83	12	70	6	+1.4	980.6	159	+0.35	664.5	112	220
		HSW.30.820A	HSN.30.820A												10	+1.0	986.2	95	+0.35	658.0	67	
4	HSB.30.(32)880	HSW.30.(32)880	HSN.30.(32)880	1000	760	95	956	800	24	20	4	83	12	70	8	+1.15	1047.5	127	+0.35	718.2	91	230
		HSW.30.(32)880A	HSN.30.(32)880A												10	+1.0	1046.3	101	+0.35	707.9	72	
5	HSB.30.(32)1020	HSW.30.(32)1020	HSN.30.(32)1020	1170	875	95	1120	930	24	22	4	80	15	70	8	+1.4	1219.3	148	+0.35	830.1	105	310
		HSW.30.(32)1020A	HSN.30.(32)1020A												10	+1.15	1219.2	118	+0.35	827.8	84	
6	HSB.30.(40)1220	HSW.30.(40)1220	HSN.30.(40)1220	1365	1075	120	1310	1130	36	24	6	105	15	90	10	+1.4	1424.9	138	+0.35	1027.8	104	460
		HSW.30.(40)1220A	HSN.30.(40)1220A												12	+1.0	1435.9	116	+0.35	1017.3	86	
7	HSB.35.(40)1250	HSW.35.(40)1250	HSN.35.(40)1250	1400	1090	120	1350	1150	36	26	6	105	15	90	10	-0.35	1443	143	+0.35	1037	105	480
		HSW.35.(40)1250A	HSN.35.(40)1250A												12	+1.0	1449.6	117	+0.35	1036.8	86	
8	HSB.35.(40)1435	HSW.35.(40)1435	HSN.35.(40)1435	1595	1278	120	1535	1335	36	26	6	105	15	90	12	+1.15	1655.5	134	+0.35	1221.2	103	570
		HSW.35.(40)1435A	HSN.35.(40)1435A												14	+1.0	1661.2	115	+0.35	1214.8	88	
9	HSB.35.(50)1540	HSW.35.(50)1540	HSN.35.(50)1540	1720	1360	140	1660	1420	42	26	6	122	18	110	12	+1.4	1780.8	144	+0.35	1293.1	109	860
		HSW.35.(50)1540A	HSN.35.(50)1540A												14	+1.15	1791.1	124	+0.35	1284.8	93	
10	HSB.35.(50)1700	HSW.35.(50)1700	HSN.35.(50)1700	1875	1525	140	1815	1585	42	29	6	122	18	110	14	+1.15	1945.4	135	+0.35	1452.7	105	880
		HSW.35.(50)1700A	HSN.35.(50)1700A												16	+1.15	1950.8	118	+0.35	1452.3	92	
11	HSB.40.(50)1880	HSW.40.(50)1880	HSN.40.(50)1880	2100	1665	160	2030	1740	48	32	6	140	20	115	14	+1.4	2189.8	152	+0.35	1592.6	115	1290
		HSW.40.(50)1880A	HSN.40.(50)1880A												18	+1.15	2194.6	118	+0.35	1579.9	89	
12	HSB.40.(50)2115	HSW.40.(50)2115	HSN.40.(50)2115	2325	1900	160	2245	1980	48	32	6	140	20	115	16	+1.4	2406.5	146	+0.35	1804.1	114	1430
		HSW.40.(50)2115A	HSN.40.(50)2115A												20	+1.15	2418.4	117	+0.35	1795.4	91	

No.	Basic type			Mounting Size							sturctural			Ext		Int Gear			Int Gear			Weigh tkg
											Configuration			size								
	Toothless	Ext Toothless	Int Toothless	D	d	H	D1	D2	n	$\phi$	n1	H1	h	b	m	x	De	Z	x	De	Z	
13	HSB.40.(60)2370	HSW.40.(60)2370	HSN.40.(60)2370	2600	2146	180	2520	2220	48	32	6	158	22	130	18	+1.4	2707.3	146	+0.35	2065.6	116	1950
		HSW.40.(60)2370A	HSN.40.(60)2370A												22	+1.15	2704.4	119	+0.35	2040.9	94	
14	HSB.40.(60)2600	HSW.40.(60)2600	HSN.40.(60)2600	2835	2365	180	2750	2450	54	36	6	158	22	130	18	+1.4	2941.7	159	+0.35	2263.5	127	2180
		HSW.40.(60)2600A	HSN.40.(60)2600A												22	+1.15	2946.9	130	+0.35	2260.8	104	
15	HSB.50.(60)2820	HSW.50.(60)2820	HSN.50.(60)2820	3085	2555	200	3000	2640	54	36	6	178	22	150	20	+1.4	3188.4	155	+0.35	2455	124	2520
		HSW.50.(60)2820A	HSN.50.(60)2820A												25	+1.15	3198.4	124	+0.35	2444.1	99	
16		HSW.40.1250		1415	1084	110	1350	1150	1252	24.28	6	89	21	77	10	+0.86	1476	144				510
17		HSW.40.1390		1551	1206	130	1500	1280	1241	24.26	6	107	23	85	10	+0.75	1604	157				630
18			HSN.50.1830	2002	1665	150	1940	1940	1832	54	6	125	25	100	12	+1.00				1610	135	920

The load graphs please refer to the 01 series.Specially ones please contact with us.