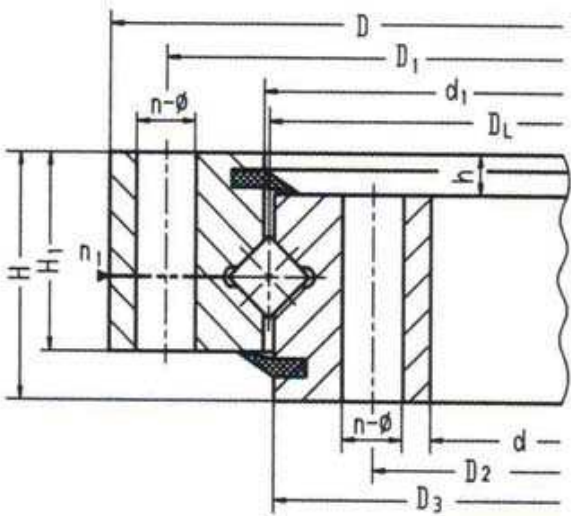


Cross roller bearing

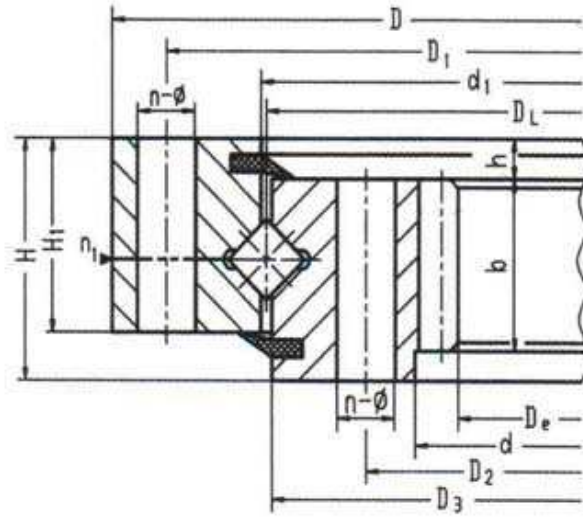
The single-row crossed roller slewing ring is composed of two seat-rings. It features compact in design, light in weight, high precision and small fitting clearance.

As the rollers are 1:1 cross arranged, it is suitable for high precision mounting and capable to bear axial force, resultant moment and considerable large radial force.

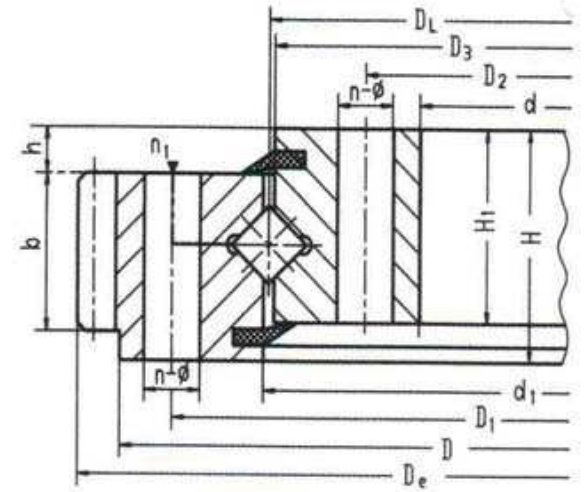
The single-row crossed roller slewing rings are widely used for hoisting, transporting, engineering machines as well as for military products.



HJB



HJN



HJW

No.	Basic type			Configuration			Mounting Size					sturctural size				Gear Date			Ext Gear		Int Gear		Tangential Tooth load		weight (kg)
	Toothless DL mm	Ext Toothless D _L mm	Int Toothless D _L mm	D mm	d mm	H mm	D ₁ mm	D ₂ mm	n	Φ mm	n1	d ₁ mm	D ₃ mm	H ₁ mm	h	b mm	x mm	m mm	D _e mm	Z	D _e mm	Z	No malizing 10 ⁴ N	Tempering 10 ⁴ N	
1	HJB.20.625	HJW.20.625	HJN.20.625	725	525	80	685	565	18	18	3	627	623	68	12	60	+1.4	5	751.9	146	498.8	101		5.2	100
		HJW.20.625A	HJN.20.625A														+1.15	6	755.5	122	496.7	84		6.2	
2	HJB.20.720	HJW.20.720	HJN.20.720	820	620	80	780	660	18	18	3	722	718	68	12	60	+1.4	6	860.3	139	586.6	99		6.2	120
		HJW.20.720A	HJN.20.720A														+1.0	8	861.1	104	582.3	74		8.3	
3	HJB.30.820	HJW.30.820	HJN.30.820	940	705	95	893	749	24	20	4	822	818	83	12	70	+1.4	6	980.6	159	664.5	112		7.2	210
		HJW.30.820A	HJN.30.820A														+1.0	10	986.2	95	658.0	67		12.2	
4	HJB.30.880	HJW.30.880	HJN.30.880	1000	760	95	956	800	24	20	4	882	878	83	12	70	+1.15	8	1047.5	127	718.2	91		9.7	230
		HJW.30.880A	HJN.30.880A														+1.0	10	1046.3	101	707.9	72		12.2	
5	HJB.30.1020	HJW.30.1020	HJN.30.1020	1170	875	95	1120	930	24	22	4	1022	1018	80	15	70	+1.4	8	1219.3	148	830.1	105		9.7	300
		HJW.30.1020A	HJN.30.1020A														+1.15	10	1219.2	118	827.8	84		12.2	
6	HJB.36.1220	HJW.36.1220	HJN.36.1220	1365	1075	120	1310	1130	36	24	6	1222	1218	105	15	90	+1.4	10	1424.9	138	1027.8	104		15.7	450
		HJW.36.1220A	HJN.36.1220A														+1.0	12	1435.9	116	1017.3	86		18.8	
7	HJB.36.1250	HJW.36.1250	HJN.36.1250	1400	1090	120	1350	1150	36	26	6	1252	1248	105	15	90	-0.35	10	1443	143	1037	105		15.7	520
		HJW.36.1250A	HJN.36.1250A														+1.0	12	1449.6	117	1036.8	86		18.8	
8	HJB.36.1435	HJW.36.1435	HJN.36.1435	1595	1278	120	1535	1335	36	26	6	1437	1433	105	15	90	+1.15	12	1655.5	134	1221.2	103		18.8	610
		HJW.36.1435A	HJN.36.1435A														+1.0	14	1661.2	115	1214.8	83		21.9	
9	HJB.45.1540	HJW.45.1540	HJN.45.1540	1720	1360	140	1660	1420	42	26	6	1543	1537	122	18	110	+1.4	12	1780.8	144	1293.1	109		23.0	732
		HJW.45.1540A	HJN.45.1540A														+1.15	14	1791.1	124	1284.8	93		26.8	
10	HJB.45.1700	HJW.45.1700	HJN.45.1700	1875	1525	140	1815	1585	42	29	6	1703	1679	122	18	110	+1.15	14	1945.4	135	1452.7	105		26.8	844
		HJW.45.1700A	HJN.45.1700A														+1.15	16	1950.8	118	1452.3	92		30.5	

The load graphs please refer to the 11 series. Specially ones please contact with us.